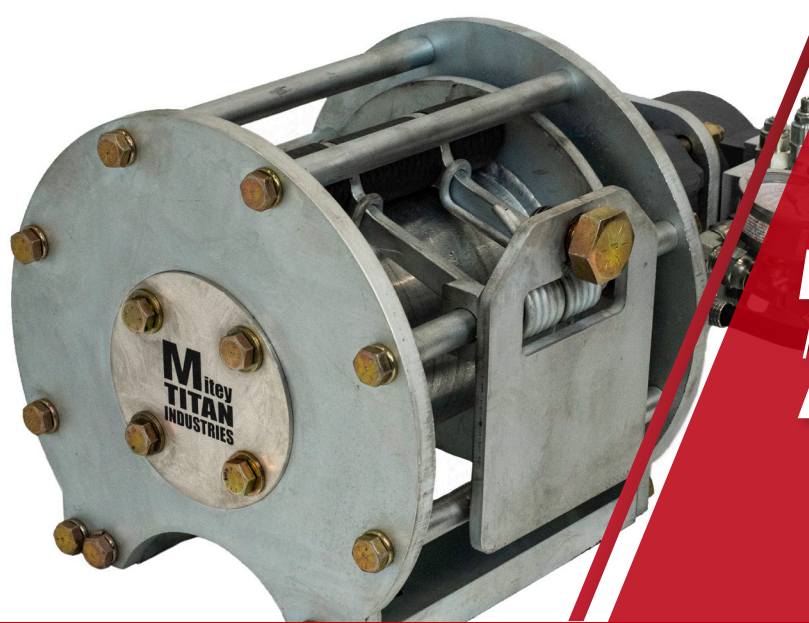


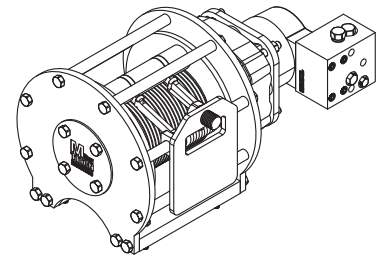
OUR *COMMERCIAL* PRODUCTS



MITEY TITAN PAYOUT WINCH ASSEMBLY

MTI TEAM MANUFACTURED ITS 1ST PAYOUT WINCH IN 2020

The Mitey Titan payout winch is designed to handle any HWO pipe handling requirements. Built to handle up to 1000 Lbs, the payout winch is manufactured by Mitey Titan to be a drop-in replacement for common pipe handling winches. Along with full pipe handling capability, the payout winch's built-in safety feature works in conjunction with any Snubbing or Hydraulic Workover Unit's Jack control system to prevent cable or Gin Pole Damage.

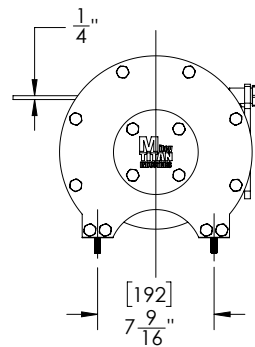


HIGHLIGHTED FEATURES

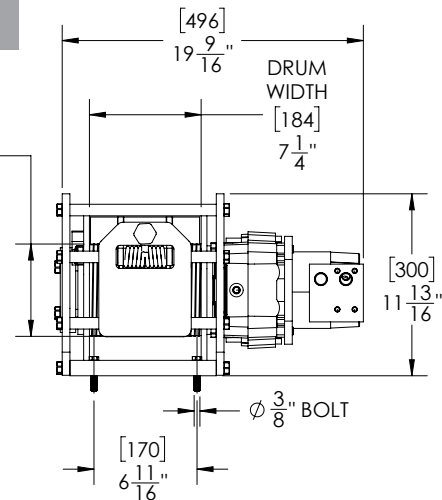
- Drop-in replacement for standard Pullmaster PL2 pipe handling winch
- Adjustable safety valve to limit maximum lifting capacity and cable payout force
- Dual brake features spring applied hydraulic release park brake and fully functional hydraulic brake
- Park brake jack pilot signal release for automatic emergency payout when snubbing or lowering the Jack
- Pressure roller package to reduce line overlap comes standard on every winch
- Winch can be configured for clockwise or counterclockwise hoisting. Specify the desired rotation when ordering
- All winches are function tested and payout forces set at Mitey Titan and are ready to install

PW02 - PAYOUT WINCH

| ITEM | PART NUMBER |
|---------------|-------------|
| FULL ASSEMBLY | PW02-001 |



DRUM
DIAMETER
[152]
6"



OPTIONS

- Winches can be supplied with preferred cable length preinstalled
- Cable weights or cable spinners can be supplied upon request
- Winches come standard w/ CW hoisting direction. CCW hoisting direction can be supplied if requested at time of order
- Default setting is for winch to begin paying out cable when then line tension exceeds 1000 lbf bare-drum. Alternate settings are available by special consideration only.

SPECIFICATIONS

Line Pull (Bare Drum): 1200 lbf*
 Line Pull (4th wrap): 900 lbf
 Max Pressure: 2200 psi
 Max RPM: 52 rpm
 Max Hydraulic Flow: 4 GPM
 Wire Size: 1/4" 6X19 Standard Hoisting Wire
 Operating Temp: -10°C to 50°C
 Approximate Weight: 194 lb

*STANDARD SETUP WILL HAVE WINCH PAYOUT AT 1000 LBF BARE DRUM LINE TENSION

GET IN TOUCH

Office: 780-465-0910
Email: info@miteytitan.com
Web: www.miteytitan.com



Mitey Titan Industries
3051 84 Ave NW
Edmonton, AB Canada

BRO#0028
REV #0009

THE FUTURE *IS* MITEY

