

WARNING

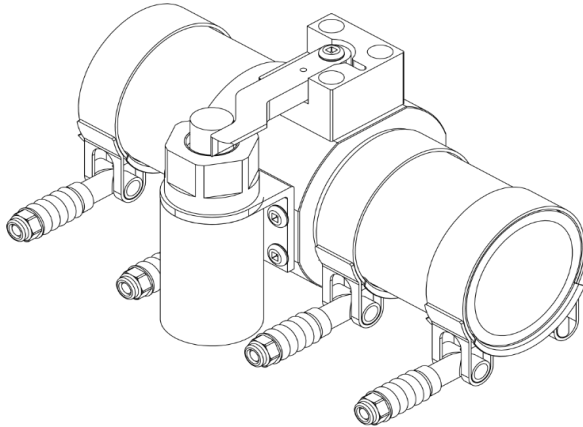
BEFORE INSTALLATION

- DISCONNECT THE BATTERY FROM THE ENGINE.
- MAKE SURE THE ENGINE CAN'T OPERATE DURING INSTALL.
- FOLLOW ALL ENGINE SAFETY WARNINGS.
- READ THE FOLLOWING INSTALLATION INSTRUCTIONS.

PLEASE READ INSTRUCTIONS

BEFORE INSTALLING

A visual inspection is recommended for this product before installation in case of damage during shipment. It is your responsibility to have a qualified person to install this unit.



PAS01 Series
(Example: PAS01-20-200-200-12V-HB)

Description:

The PAS01 Series is a solenoid actuated PASV. The Plunger of the solenoid retracts and the arm of the flapper can freely move to close the valve. Once the valve actuates it is set back by manually turning the trigger arm behind the solenoid plunger. There is four ways to actuate the valve.

Types of Actuation

Toggle Switch

A switch that allows for someone to flick the switch and activate the PASV. Once activated this will require manual reset of PASV by turning the trigger arm behind the solenoid plunger.

Speed Switch

Activated by a pre-set RPM limit. Once the engine goes past this RPM the switch activates the PASV.

Wire Pull Cable

Connected by a 1.5m, 3m or 5m pull cable, the handle can be pulled from a nearby which in turn actuates the PASV.

Air Actuated

Utilizing air to actuate the solenoid. It pulls the plunger down to allow for the arm to swing the PASV closed.

Serial #: _____

Reason for PASV

Due to two safety hazards of having combustible gases in the environment in the oil and gas industry, a PASV is a requirement in this field.

Engine Over Speed

This occurs when gases enter the engine and act as an uncontrolled fuel supply. Due to this issue the engine may not be shut down by cutting off the fuel supply. This could result in catastrophic engine failure.

'Flashback'

Gases enter the air intake and can combust in this area of the engine causing costly damage to the engine.

Warranty:

Limited 2 year warranty is given on manufactured components from the date of purchase. (See Page 3 for details)
NO RETURN ON ELECTRICAL AND CUSTOM BUILD PRODUCTS

Installation Precautions:

- Validate valve connection and are correct size for engine.
- Make sure PASV is installed by a mechanic experienced with PASV.
- PASV should be installed as close to the air inlet as possible in order to minimize air leakage.
- When installing the PASV make sure it is on the air intake and clear of any engine components. Also make sure the hood can closed.

Preventative Action:

The PASV should be tested monthly to ensure it is functional.

If there is any uncertainties or confusion about Installation, Testing or any other inquiries please feel free to contact us via phone, e-mail, or fax.

Next page for Installation

General Installation

Note that this is general installation of valve and may differ from your engine. Please contact us if unsure about anything.

-Locate installation space preferably as close to the engine intake as possible.

Depending on the pipe style there are two methods of installations:

Soft Rubber Pipe (Note: MTI requires inside diameter information for ordering)

- Cut the intake hose on the engine to be the width of the valve body (Dim. A)
- Place hose clamps on either end of the cut pipe
- Install rubber hose over hose barb adapter
- Tighten hose clamps onto valve*
- (The included rubber boots in the kit may not be required if soft rubber pipe is present)

Hard Pipe (i.e. Aluminum) (Note: MTI requires outside diameter information for ordering)

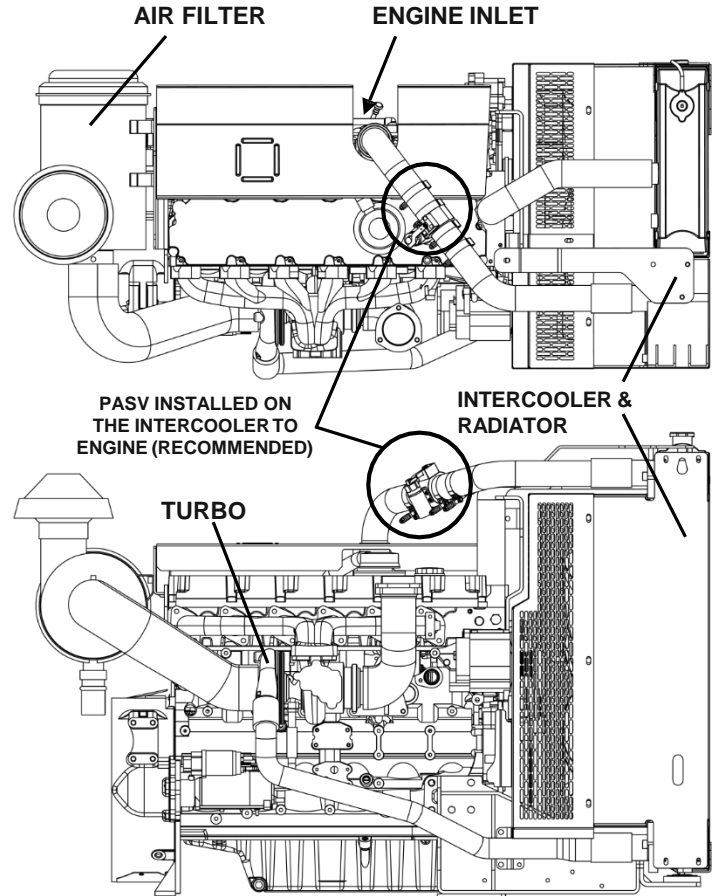
- Cut intake pipe to the width of the valve (Dim. B) plus 1/8" per side
- Insert hose clamps on either end of cut pipe
- Install rubber boots over intake and hose barb adapters
- Tighten hose clamps on both ends of rubber boot*

////////////////////
 ⚠ **NOTE:** Do not over torque hose clamps as that could wreck pipes or sealing surface.
 //////////////////////

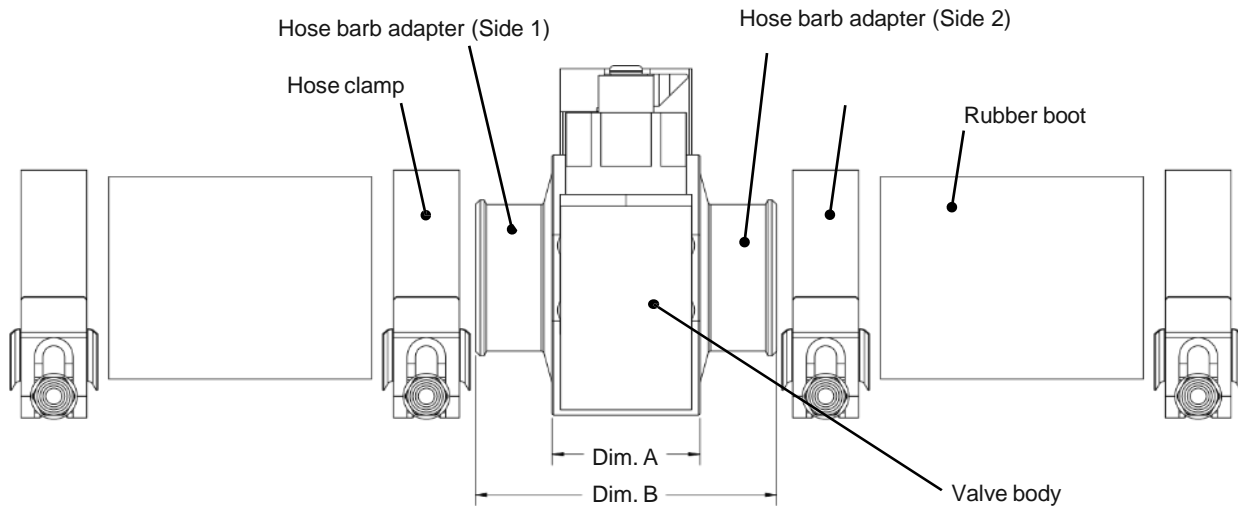
Actuation

Based on the kit ordered the installation instruction for the various actuation types is included in the wiring harness kit. Please refer to the installation instructions included in the kit.

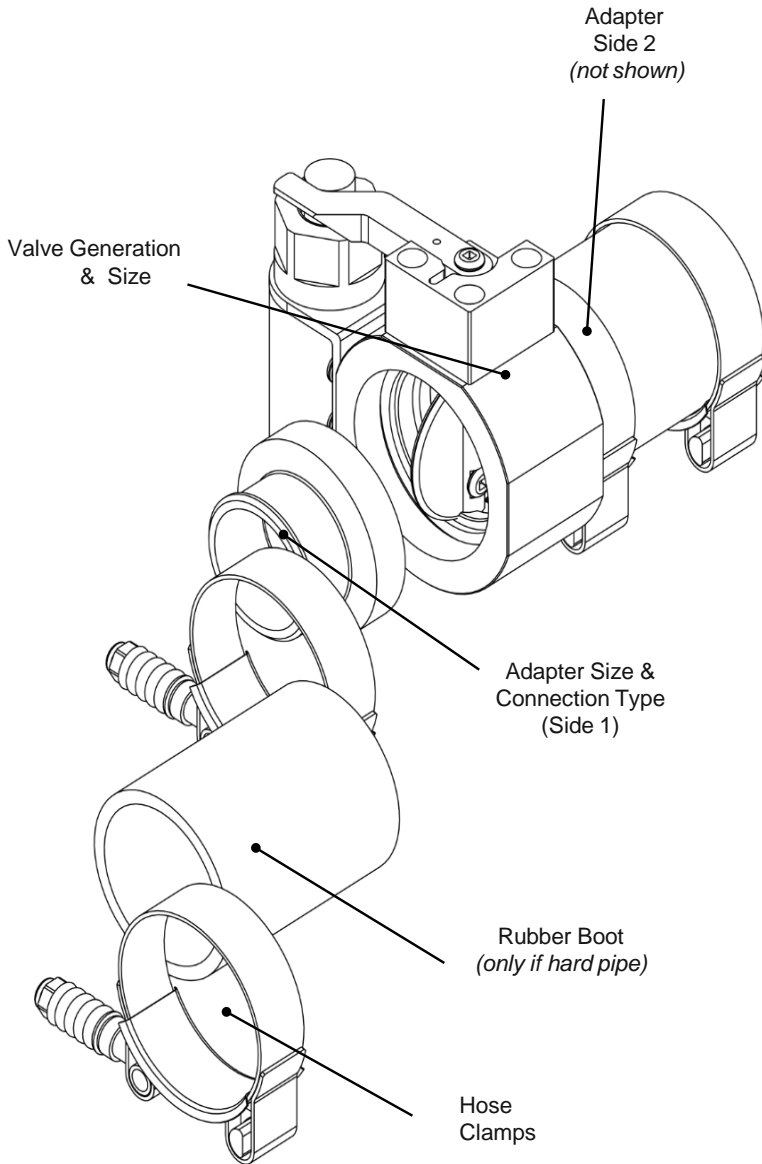
PASV LOCATION ENGINE



VALVE BODY DIMENSIONS (PASV SIDE VIEW)



PASV EXPLODED VIEW



WARNING

The PASV should only be installed by a mechanic that is experienced with PASV installation and with the skill and knowledge necessary to safely install this device. The manufacturer assumes no responsibility for damages that may occur due to improper installation of this device.

Installation by anyone other than a competent person may result in all warranties being void. A competent person is referred to as a person who has acquired through training, qualification, or experience, or a combination of these, the knowledge and skills enabling that person to perform the install.

LIMITED WARRANTY:

Mitey Titan Industries (hereinafter referred to as "MTI"), warrants to the original purchaser that products sold shall be free from defects in material and workmanship for the warranty period applicable. This warranty covers against manufacturing defects by Mitey Titan Industries.

If buyer claims that a product violates this Limited Warranty, MTI, upon notice promptly given, issue shipping instructions for return to MTI at buyer's expense, charges prepaid.

MTI's sole obligation under this Limited Warranty shall be, at its option, to repair or replace any product thereof which is proved to violate this Limited Warranty.

In no event, whether based on contract, indemnity, warranty, tort (including negligence), strict liability or otherwise, shall MTI be liable to the buyer for special, indirect, incidental or consequential damages whatsoever including, without limitation, loss of profit or revenue. THIS LIMITED WARRANTY IS THE BUYER'S EXCLUSIVE REMEDY AND MTI HEREBY EXPRESSLY DISCLAIMS ALL OTHER WARRANTIES, EXPRESS OR IMPLIED, INCLUDING THE IMPLIED WARRANTY OF MERCHANTABILITY. The foregoing shall constitute the sole remedy of the buyer and the sole liability of MTI.

This Limited Warranty shall not apply to any product or component thereof which has been repaired or altered by anyone other than MTI authorized personnel in any manner so as, in MTI's sole judgment, to affect its serviceability, or to any product that has been subject to alteration, accident, misuse, abuse, or neglect.

This Limited Warranty shall not apply to products which have been assembled or installed or used in a manner contrary to MTI's printed instructions, or due to failure to follow MTI's printed instructions for operation and maintenance.

Only the terms expressed in this Limited Warranty shall apply and no distributor, corporation or individual is authorized to amend, modify or extend this Limited Warranty in any way on resale.

For additional information contact Mitey Titan Industries.

WARRANTY COVERAGE PERIOD:

Limited 2 year warranty is given on manufactured components from the date of purchase.

GENERATION **BODY SIZE** **ADAPTER SIZE (SIDE 1)** **ADAPTER SIZE (SIDE 2)** **ACTUATION** **CLAMP TYPE**
PAS 01 — — — —
EXAMPLE: **A** **B** **C** **D** — **E** **F**
 PAS 01 — 20 — 200 — 250 — 12V — HB
 (MANUAL RESET, 2" BODY, 2" ADAPTER, 2 1/2" ADAPTER, 12V SOLENOID WITH HOSE BARB)

A -GENERATION	B -VALVE BODY SIZE (DIA.)	
01 - MANUAL	20 - 2" (50mm) 30 - 3" (75mm)	40 - 4" (100mm)

C -SIDE 1 ADAPTER SIZE (DIA.)			
125 - 1 1/4" (32mm)	225 - 2 1/4" (56mm)	325 - 3 1/4" (82mm)	500 - 5" (125mm)
150 - 1 1/2" (40mm)	250 - 2 1/2" (65mm)	350 - 3 1/2" (88mm)	550 - 5 1/2" (140mm)
175 - 1 3/4" (45mm)	275 - 2 3/4" (70mm)	375 - 3 3/4" (100mm)	600 - 6" (150mm)
200 - 2" (50mm)	300 - 3" (75mm)	400 - 4" (114mm)	650 - 6 1/2" (165mm)

D -SIDE 2 ADAPTER SIZE (DIA.)			
125 - 1 1/4" (32mm)	225 - 2 1/4" (56mm)	325 - 3 1/4" (82mm)	500 - 5" (125mm)
150 - 1 1/2" (40mm)	250 - 2 1/2" (65mm)	350 - 3 1/2" (88mm)	550 - 5 1/2" (140mm)
175 - 1 3/4" (45mm)	275 - 2 3/4" (70mm)	375 - 3 3/4" (100mm)	600 - 6" (150mm)
200 - 2" (50mm)	300 - 3" (75mm)	400 - 4" (114mm)	650 - 6 1/2" (165mm)

E -ACTUATION		F -CLAMP TYPE
12V - SOLENOID (PAS01) AIR - AIR CYLINDER	24V - SOLENOID (PAS01) 1.5M - 1.50m PULL CABLE 3M - 3m PULL CABLE 5M - 5m PULL CABLE	HB - HOSE BARB FC - FLANGED CONNECTION VC - V-CLAMP NOTE: IF NOT SPECIFIED HOSE BARB IS DEFAULT

CUSTOMER INFORMATION

NAME: _____

COMPANY: _____

PHONE: _____

ENGINE INFORMATION

MAKE: _____

MODEL: _____

YEAR: _____